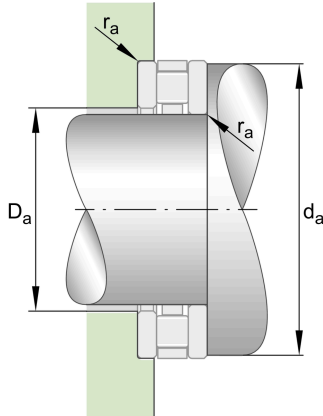
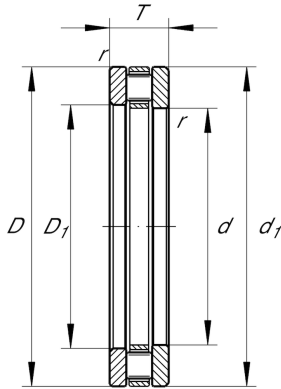
**81115-TV**

## Axial cylindrical roller bearing

Schaeffler Kimliği:  
0015415010000Axial cylindrical roller bearings 811, single  
direction, comprising K811, GS, WS

## Teknik bilgiler

**Dimensions**

$D_1$	77 mm	Bore diameter housing washer
$d_1$	100 mm	Rip diameter shaft washer
$r_{min}$	1 mm	Minimum chamfer dimension
	371 g	Ağırlık

**Main Dimensions & Performance Data**

$d$	75 mm	Bore diameter
$D$	100 mm	Outside diameter
$T$	19 mm	Height
$C_a$	107.000 N	Basic dynamic load rating, axial
$C_{0a}$	350.000 N	Basic static load rating, axial
$C_{ua}$	36.000 N	Fatigue load limit, axial
$n_G$	3.300 1/min	Limiting speed
$n_{gr}$	1.190 1/min	Reference speed

**Mounting dimensions**

$d_{a min}$	97 mm	Minimum diameter shaft shoulder
$D_{a max}$	78 mm	Maximum diameter of housing shoulder
$r_{a max}$	1 mm	Maximum recess radius

**Additional information**

K81115-TV	Axial roller and cage assembly
GS81115	Housing Washer
WS81115	Shaft washer
LS75100	Track Washer

**Temperature range**

$T_{min}$	120 °C	Operating temperature min.
$T_{max}$	-30 °C	Operating temperature max.