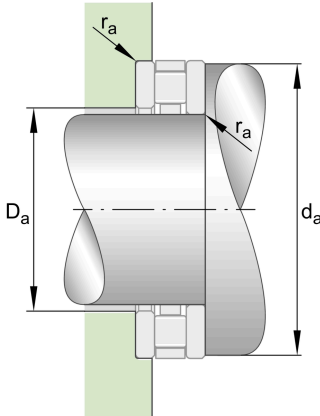
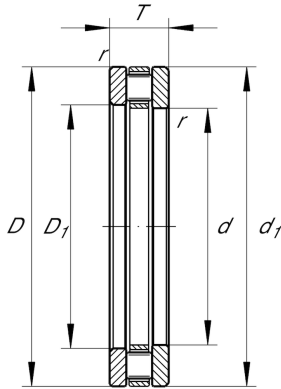
**81209-TV**

## Axial cylindrical roller bearing

Schaeffler Kimliği:  
0006515590000Axial cylindrical roller bearings 812, single  
direction, comprising K812, GS, WS

## Teknik bilgiler

**Dimensions**

$D_1$	47 mm	Bore diameter housing washer
$d_1$	73 mm	Rip diameter shaft washer
$r_{min}$	1 mm	Minimum chamfer dimension
	287,9 g	Ağırlık

**Main Dimensions & Performance Data**

$d$	45 mm	Bore diameter
$D$	73 mm	Outside diameter
$T$	20 mm	Height
$C_a$	105.000 N	Basic dynamic load rating, axial
$C_{0a}$	265.000 N	Basic static load rating, axial
$C_{ua}$	23.700 N	Fatigue load limit, axial
$n_G$	4.900 1/min	Limiting speed
$n_{gr}$	1.820 1/min	Reference speed

**Mounting dimensions**

$d_{a min}$	70 mm	Minimum diameter shaft shoulder
$D_{a max}$	48 mm	Maximum diameter of housing shoulder
$r_{a max}$	1 mm	Maximum recess radius

**Additional information**

K81209-TV	Axial roller and cage assembly
GS81209	Housing Washer
WS81209	Shaft washer
LS6590	Track Washer

**Temperature range**

$T_{min}$	-30 °C	Operating temperature min.
$T_{max}$	120 °C	Operating temperature max.