

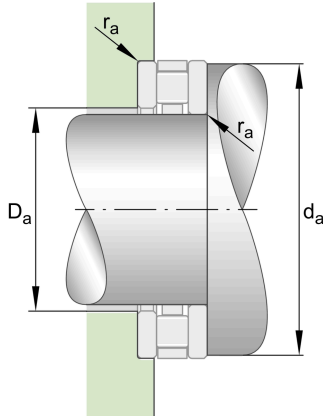
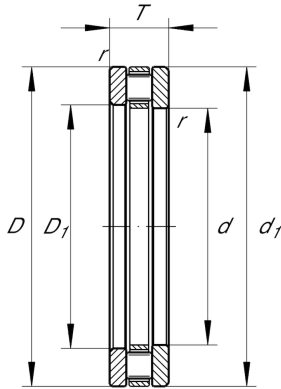
81224-TV

Axial cylindrical roller bearing

Schaeffler Kimliği:
0000568120000

Axial cylindrical roller bearings 812, single direction, comprising K812, GS, WS

Teknik bilgiler



Dimensions

D_1	123 mm	Bore diameter housing washer
d_1	170 mm	Rip diameter shaft washer
r_{min}	1,1 mm	Minimum chamfer dimension
	2,613 kg	Ağırlık

Main Dimensions & Performance Data

d	120 mm	Bore diameter
D	170 mm	Outside diameter
T	39 mm	Height
C_a	340.000 N	Basic dynamic load rating, axial
C_{0a}	1.120.000 N	Basic static load rating, axial
C_{ua}	113.000 N	Fatigue load limit, axial
n_G	1.990 1/min	Limiting speed
n_{gr}	790 1/min	Reference speed

Mounting dimensions

$d_{a min}$	162 mm	Minimum diameter shaft shoulder
$D_{a max}$	127 mm	Maximum diameter of housing shoulder
$r_{a max}$	1,1 mm	Maximum recess radius

Additional information

K81224-TV	Axial roller and cage assembly
GS81224	Housing Washer
WS81224	Shaft washer
LS150190	Track Washer

Temperature range

T_{min}	-30 °C	Operating temperature min.
T_{max}	120 °C	Operating temperature max.