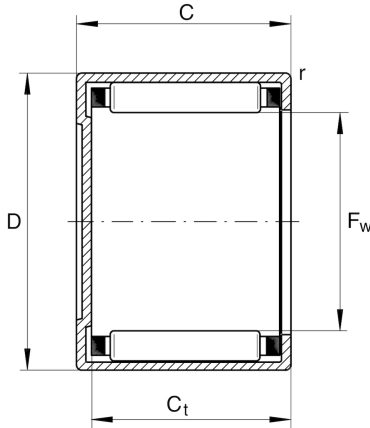
**BK0306-TV**

Drawn cup needle roller bearing closed end

Schaeffler Kimliği:
0005096630000Drawn cup needle roller bearings with
closed end BK, to DIN 618/ISO 3245

Teknik bilgiler

**Dimensions**

r_{min}	0,3 mm	Minimum chamfer dimension
$C_{t min}$	5,2 mm	Minimum width to base of drawn cup with closed end
	0,001 kg	Ağırlık

Main Dimensions & Performance Data

F_w	3 mm	Under roller diameter
D	6,5 mm	Outside diameter
C	6 mm	Width, outer ring
C_r	1.230 N	Basic dynamic load rating, radial
C_{0r}	840 N	Basic static load rating, radial
C_{ur}	145 N	Fatigue load limit, radial
n_G	48.000 1/min	Limiting speed
$n_{G Grease}$	29.000 1/min	Limiting speed for grease lubrication
$n_{\vartheta r}$	57.000 1/min	Reference speed

Temperature range

T_{min}	-20 °C	Operating temperature min.
T_{max}	120 °C	Operating temperature max.