

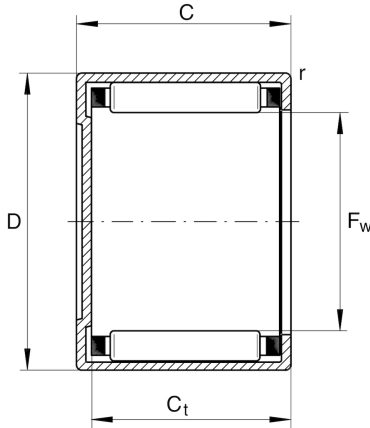
## BK0810

Drawn cup needle roller bearing closed end

Schaeffler Kimliği:  
0011976650000

Drawn cup needle roller bearings with  
closed end BK, to DIN 618/ISO 3245

### Teknik bilgiler



#### Dimensions

$r_{min}$	0,4 mm	Minimum chamfer dimension
$C_{t min}$	8,4 mm	Minimum width to base of drawn cup with closed end
	3,339 g	Ağırlık

#### Main Dimensions & Performance Data

$F_w$	8 mm	Under roller diameter
D	12 mm	Outside diameter
C	10 mm	Width, outer ring
$C_r$	3.800 N	Basic dynamic load rating, radial
$C_{0r}$	3.950 N	Basic static load rating, radial
$C_{ur}$	510 N	Fatigue load limit, radial
$n_G$	29.500 1/min	Limiting speed
$n_{G Grease}$	17.700 1/min	Limiting speed for grease lubrication
$n_{gr}$	23.200 1/min	Reference speed

#### Additional information

G8X12X3	Sealing ring 2
IR5X8X12-XL	Suitable inner rings IR

#### Temperature range

$T_{min}$	-30 °C	Operating temperature min.
$T_{max}$	140 °C	Operating temperature max.