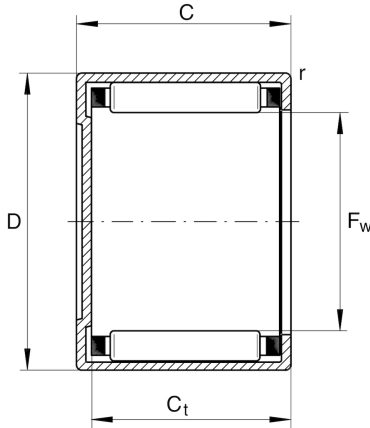
**BK0910**

Drawn cup needle roller bearing closed end

Schaeffler Kimliği:
0011978600000Drawn cup needle roller bearings with
closed end BK, to DIN 618/ISO 3245

Teknik bilgiler

**Dimensions**

r_{min}	0,4 mm	Minimum chamfer dimension
$C_{t min}$	8,4 mm	Minimum width to base of drawn cup with closed end
	4,3 g	Ağırlık

Main Dimensions & Performance Data

F_w	9 mm	Under roller diameter
D	13 mm	Outside diameter
C	10 mm	Width, outer ring
C_r	4.250 N	Basic dynamic load rating, radial
C_{0r}	4.650 N	Basic static load rating, radial
C_{ur}	610 N	Fatigue load limit, radial
n_G	26.500 1/min	Limiting speed
$n_{G Grease}$	16.000 1/min	Limiting speed for grease lubrication
n_{gr}	20.600 1/min	Reference speed

Additional information

GR9X13X3	Sealing ring
G9X13X3	Sealing ring 2
IR6X9X12-XL	Suitable inner rings IR

Temperature range

T_{min}	-30 °C	Operating temperature min.
T_{max}	140 °C	Operating temperature max.