

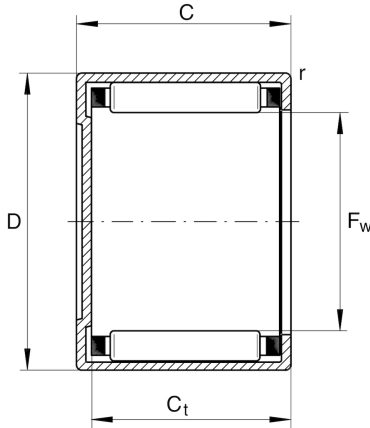
BK1012

Drawn cup needle roller bearing closed end

Schaeffler Kimliği:
0011978270000

Drawn cup needle roller bearings with
closed end BK, to DIN 618/ISO 3245

Teknik bilgiler



Dimensions

r_{min}	0,4 mm	Minimum chamfer dimension
C_{tmin}	10,4 mm	Minimum width to base of drawn cup with closed end
	4,968 g	Ağırlık

Main Dimensions & Performance Data

F_w	10 mm	Under roller diameter
D	14 mm	Outside diameter
C	12 mm	Width, outer ring
C_r	5.500 N	Basic dynamic load rating, radial
C_{0r}	6.800 N	Basic static load rating, radial
C_{ur}	950 N	Fatigue load limit, radial
n_G	24.300 1/min	Limiting speed
$n_{G Grease}$	14.600 1/min	Limiting speed for grease lubrication
$n_{\vartheta r}$	18.400 1/min	Reference speed

Additional information

GR10X14X3	Sealing ring
G10X14X3	Sealing ring 2
IR7X10X12-XL	Suitable inner rings IR

Temperature range

T_{min}	-30 °C	Operating temperature min.
T_{max}	140 °C	Operating temperature max.