

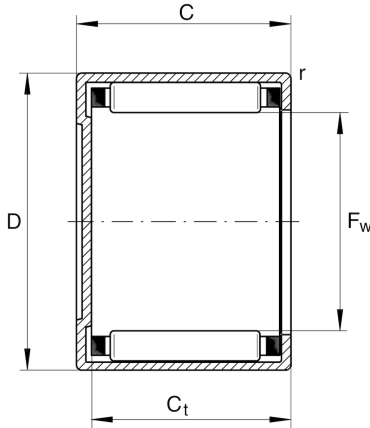
## BK1015

Drawn cup needle roller bearing closed end

Schaeffler Kimliği:  
0050462970000

Drawn cup needle roller bearings with  
closed end BK, to DIN 618/ISO 3245

### Teknik bilgiler



#### Dimensions

$r_{min}$	0,4 mm	Minimum chamfer dimension
$C_{tmin}$	13,4 mm	Minimum width to base of drawn cup with closed end
	6,179 g	Ağırlık

#### Main Dimensions & Performance Data

$F_w$	10 mm	Under roller diameter
$D$	14 mm	Outside diameter
$C$	15 mm	Width, outer ring
$C_r$	6.800 N	Basic dynamic load rating, radial
$C_{0r}$	8.800 N	Basic static load rating, radial
$C_{ur}$	1.230 N	Fatigue load limit, radial
$n_G$	24.300 1/min	Limiting speed
$n_{G Grease}$	14.600 1/min	Limiting speed for grease lubrication
$n_{\vartheta r}$	18.200 1/min	Reference speed

#### Additional information

GR10X14X3	Sealing ring
G10X14X3	Sealing ring 2
IR7X10X16-XL	Suitable inner rings IR

#### Temperature range

$T_{min}$	-30 °C	Operating temperature min.
$T_{max}$	140 °C	Operating temperature max.