

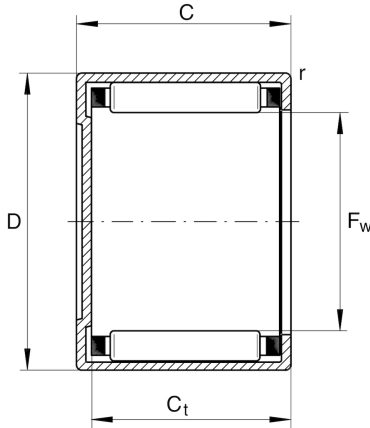
## BK1210

Drawn cup needle roller bearing closed end

Schaeffler Kimliği:  
0011977110000

Drawn cup needle roller bearings with  
closed end BK, to DIN 618/ISO 3245

### Teknik bilgiler



#### Dimensions

$r_{min}$	0,4 mm	Minimum chamfer dimension
$C_{t min}$	8,4 mm	Minimum width to base of drawn cup with closed end
	5,04 g	Ağırlık

#### Main Dimensions & Performance Data

$F_w$	12 mm	Under roller diameter
$D$	16 mm	Outside diameter
$C$	10 mm	Width, outer ring
$C_r$	4.950 N	Basic dynamic load rating, radial
$C_{0r}$	6.200 N	Basic static load rating, radial
$C_{ur}$	820 N	Fatigue load limit, radial
$n_G$	20.700 1/min	Limiting speed
$n_{G Grease}$	12.400 1/min	Limiting speed for grease lubrication
$n_{\vartheta r}$	15.700 1/min	Reference speed

#### Additional information

SD12X18X3	Sealing ring
G12X18X3	Sealing ring 2
LR8X12X10,5	Suitable inner rings LR
IR8X12X10,5-XL	Suitable inner rings IR

#### Temperature range

$T_{min}$	-30 °C	Operating temperature min.
$T_{max}$	140 °C	Operating temperature max.