

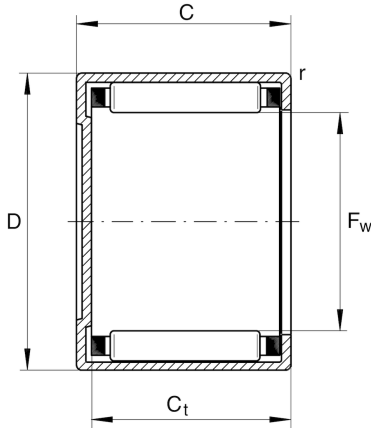
BK1512

Drawn cup needle roller bearing closed end

Schaeffler Kimliği:
0005349940000

Drawn cup needle roller bearings with
closed end BK, to DIN 618/ISO 3245

Teknik bilgiler



Dimensions

| | | |
|-------------|--------|--|
| r_{min} | 0,8 mm | Minimum chamfer dimension |
| $C_{t min}$ | 9,3 mm | Minimum width to base of drawn cup with closed end |
| | 13 g | Ağırlık |

Main Dimensions & Performance Data

| | | |
|-------------------|--------------|---------------------------------------|
| F_w | 15 mm | Under roller diameter |
| D | 21 mm | Outside diameter |
| C | 12 mm | Width, outer ring |
| C_r | 7.900 N | Basic dynamic load rating, radial |
| C_{0r} | 9.400 N | Basic static load rating, radial |
| C_{ur} | 1.170 N | Fatigue load limit, radial |
| n_G | 16.300 1/min | Limiting speed |
| $n_{G Grease}$ | 9.800 1/min | Limiting speed for grease lubrication |
| $n_{\vartheta r}$ | 12.300 1/min | Reference speed |

Additional information

| | |
|---------------|-------------------------|
| SD15X21X3 | Sealing ring |
| G15X21X3 | Sealing ring 2 |
| LR12X15X12,5 | Suitable inner rings LR |
| IR12X15X12-XL | Suitable inner rings IR |

Temperature range

| | | |
|-----------|--------|----------------------------|
| T_{min} | -30 °C | Operating temperature min. |
| T_{max} | 140 °C | Operating temperature max. |