

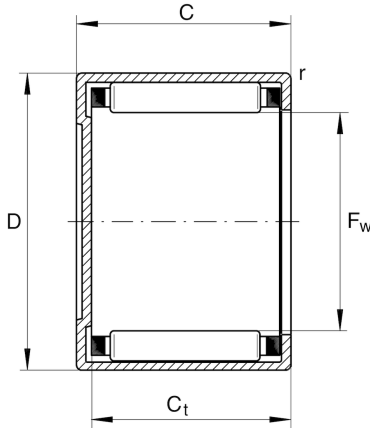
## BK1516

Drawn cup needle roller bearing closed end

Schaeffler Kimliği:  
0001769900000

Drawn cup needle roller bearings with  
closed end BK, to DIN 618/ISO 3245

### Teknik bilgiler



#### Dimensions

$r_{min}$	0,8 mm	Minimum chamfer dimension
$C_{t min}$	13,3 mm	Minimum width to base of drawn cup with closed end
	16,17 g	Ağırlık

#### Main Dimensions & Performance Data

$F_w$	15 mm	Under roller diameter
$D$	21 mm	Outside diameter
$C$	16 mm	Width, outer ring
$C_r$	10.500 N	Basic dynamic load rating, radial
$C_{0r}$	14.400 N	Basic static load rating, radial
$C_{ur}$	1.810 N	Fatigue load limit, radial
$n_G$	16.500 1/min	Limiting speed
$n_{G Grease}$	9.900 1/min	Limiting speed for grease lubrication
$n_{\vartheta r}$	12.300 1/min	Reference speed

#### Additional information

SD15X21X3	Sealing ring
G15X21X3	Sealing ring 2
LR12X15X16,5	Suitable inner rings LR
IR12X15X16-XL	Suitable inner rings IR

#### Temperature range

$T_{min}$	-30 °C	Operating temperature min.
$T_{max}$	140 °C	Operating temperature max.