

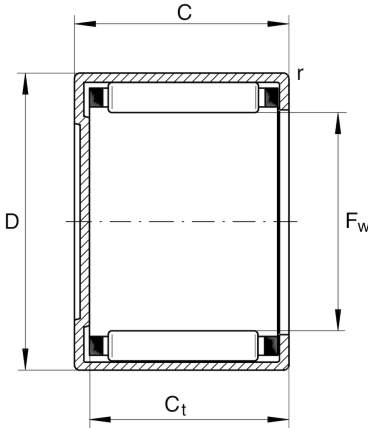
## BK1612

Drawn cup needle roller bearing closed end

Schaeffler Kimliği:  
0001770080000

Drawn cup needle roller bearings with  
closed end BK, to DIN 618/ISO 3245

### Teknik bilgiler



#### Dimensions

$r_{min}$	0,8 mm	Minimum chamfer dimension
$C_{t min}$	9,3 mm	Minimum width to base of drawn cup with closed end
	13,33 g	Ağırlık

#### Main Dimensions & Performance Data

$F_w$	16 mm	Under roller diameter
D	22 mm	Outside diameter
C	12 mm	Width, outer ring
$C_r$	7.600 N	Basic dynamic load rating, radial
$C_{0r}$	9.700 N	Basic static load rating, radial
$C_{ur}$	1.180 N	Fatigue load limit, radial
$n_G$	15.600 1/min	Limiting speed
$n_{G Grease}$	9.300 1/min	Limiting speed for grease lubrication
$n_{\vartheta r}$	11.900 1/min	Reference speed

#### Additional information

SD16X22X3	Sealing ring
G16X22X3	Sealing ring 2
IR12X16X13-XL	Suitable inner rings IR

#### Temperature range

$T_{min}$	-30 °C	Operating temperature min.
$T_{max}$	140 °C	Operating temperature max.