

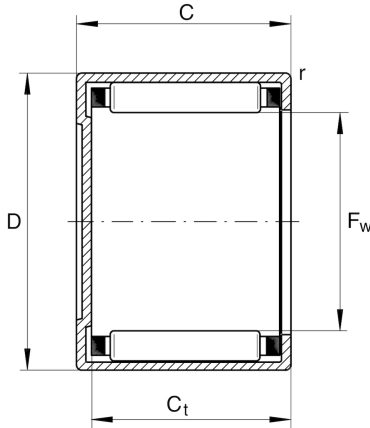
BK1816

Drawn cup needle roller bearing closed end

Schaeffler Kimliği:
0001770400000

Drawn cup needle roller bearings with
closed end BK, to DIN 618/ISO 3245

Teknik bilgiler



Dimensions

r_{min}	0,8 mm	Minimum chamfer dimension
$C_{t min}$	13,3 mm	Minimum width to base of drawn cup with closed end
	20 g	Ağırlık

Main Dimensions & Performance Data

F_w	18 mm	Under roller diameter
D	24 mm	Outside diameter
C	16 mm	Width, outer ring
C_r	11.600 N	Basic dynamic load rating, radial
C_{0r}	17.300 N	Basic static load rating, radial
C_{ur}	2.180 N	Fatigue load limit, radial
n_G	14.000 1/min	Limiting speed
$n_{G Grease}$	8.400 1/min	Limiting speed for grease lubrication
$n_{\vartheta r}$	10.400 1/min	Reference speed

Additional information

SD18X24X3	Sealing ring
G18X24X3	Sealing ring 2
LR15X18X16,5	Suitable inner rings LR
IR15X18X16-XL	Suitable inner rings IR

Temperature range

T_{min}	-30 °C	Operating temperature min.
T_{max}	140 °C	Operating temperature max.