

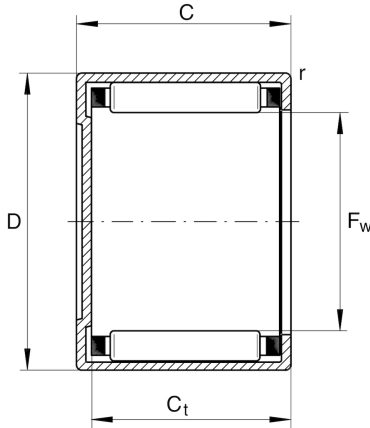
BK2016

Drawn cup needle roller bearing closed end

Schaeffler Kimliği:
0001770590000

Drawn cup needle roller bearings with
closed end BK, to DIN 618/ISO 3245

Teknik bilgiler



Dimensions

r_{min}	0,8 mm	Minimum chamfer dimension
$C_{t min}$	13,3 mm	Minimum width to base of drawn cup with closed end
	21,825 g	Ağırlık

Main Dimensions & Performance Data

F_w	20 mm	Under roller diameter
D	26 mm	Outside diameter
C	16 mm	Width, outer ring
C_r	12.700 N	Basic dynamic load rating, radial
C_{0r}	20.100 N	Basic static load rating, radial
C_{ur}	2.550 N	Fatigue load limit, radial
n_G	12.700 1/min	Limiting speed
$n_{G Grease}$	7.600 1/min	Limiting speed for grease lubrication
$n_{\vartheta r}$	9.300 1/min	Reference speed

Additional information

SD20X26X4	Sealing ring
G20X26X4	Sealing ring 2
LR17X20X16,5	Suitable inner rings LR
IR17X20X16-XL	Suitable inner rings IR

Temperature range

T_{min}	-30 °C	Operating temperature min.
T_{max}	140 °C	Operating temperature max.