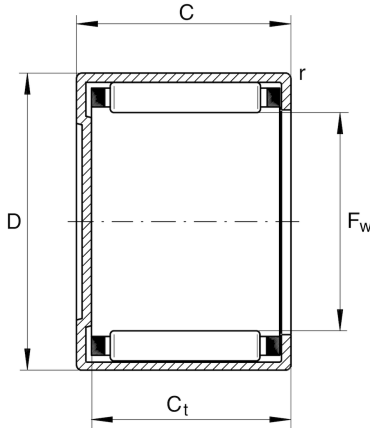
**BK2520**

Drawn cup needle roller bearing closed end

Schaeffler Kimliği:  
0001771050000Drawn cup needle roller bearings with  
closed end BK, to DIN 618/ISO 3245

## Teknik bilgiler

**Dimensions**

$r_{min}$	0,8 mm	Minimum chamfer dimension
$C_{t min}$	17,3 mm	Minimum width to base of drawn cup with closed end
	38 g	Ağırlık

**Main Dimensions & Performance Data**

$F_w$	25 mm	Under roller diameter
$D$	32 mm	Outside diameter
$C$	20 mm	Width, outer ring
$C_r$	19.900 N	Basic dynamic load rating, radial
$C_{0r}$	33.000 N	Basic static load rating, radial
$C_{ur}$	4.300 N	Fatigue load limit, radial
$n_G$	10.200 1/min	Limiting speed
$n_{G Grease}$	6.100 1/min	Limiting speed for grease lubrication
$n_{\vartheta r}$	7.400 1/min	Reference speed

**Additional information**

SD25X32X4	Sealing ring
G25X32X4	Sealing ring 2
LR20X25X20,5	Suitable inner rings LR
IR20X25X20-XL	Suitable inner rings IR

**Temperature range**

$T_{min}$	-30 °C	Operating temperature min.
$T_{max}$	140 °C	Operating temperature max.