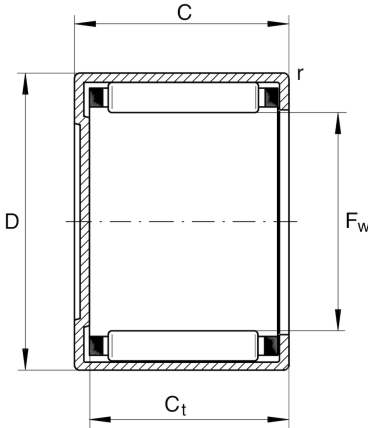
**BK2526**

Drawn cup needle roller bearing closed end

Schaeffler Kimliği:
0001771130000Drawn cup needle roller bearings with
closed end BK, to DIN 618/ISO 3245

Teknik bilgiler

**Dimensions**

r_{min}	0,8 mm	Minimum chamfer dimension
$C_{t min}$	23,3 mm	Minimum width to base of drawn cup with closed end
	47,975 g	Ağırlık

Main Dimensions & Performance Data

F_w	25 mm	Under roller diameter
D	32 mm	Outside diameter
C	26 mm	Width, outer ring
C_r	25.500 N	Basic dynamic load rating, radial
C_{0r}	45.000 N	Basic static load rating, radial
C_{ur}	6.300 N	Fatigue load limit, radial
n_G	10.200 1/min	Limiting speed
$n_{G Grease}$	6.100 1/min	Limiting speed for grease lubrication
$n_{\vartheta r}$	7.300 1/min	Reference speed

Additional information

SD25X32X4	Sealing ring
G25X32X4	Sealing ring 2
LR20X25X26,5	Suitable inner rings LR
IR20X25X26,5-XL	Suitable inner rings IR

Temperature range

T_{min}	-30 °C	Operating temperature min.
T_{max}	140 °C	Operating temperature max.