

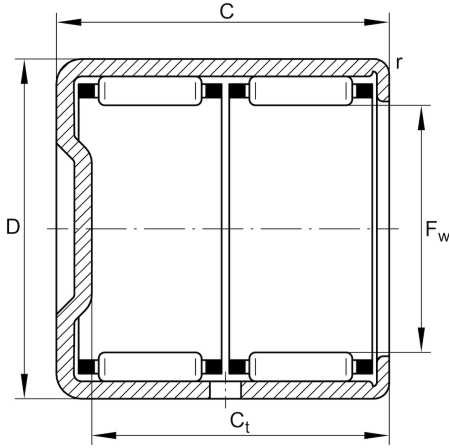
BK2538-ZW

Drawn cup needle roller bearing closed end

Schaeffler Kimliği:
0001771210000

Drawn cup needle roller bearings with
closed end BK, to DIN 618/ISO 3245

Teknik bilgiler



Dimensions

r_{min}	0,8 mm	Minimum chamfer dimension
$C_{t min}$	35,3 mm	Minimum width to base of drawn cup with closed end
	67,586 g	Ağırlık

Main Dimensions & Performance Data

F_w	25 mm	Under roller diameter
D	32 mm	Outside diameter
C	38 mm	Width, outer ring
C_r	34.000 N	Basic dynamic load rating, radial
C_{0r}	66.000 N	Basic static load rating, radial
C_{ur}	8.600 N	Fatigue load limit, radial
n_G	10.200 1/min	Limiting speed
n_{gr}	7.300 1/min	Reference speed

Additional information

	LR20X25X38,5	Suitable inner rings LR
	IR20X25X38,5-XL	Suitable inner rings IR

Temperature range

T_{min}	-30 °C	Operating temperature min.
T_{max}	140 °C	Operating temperature max.