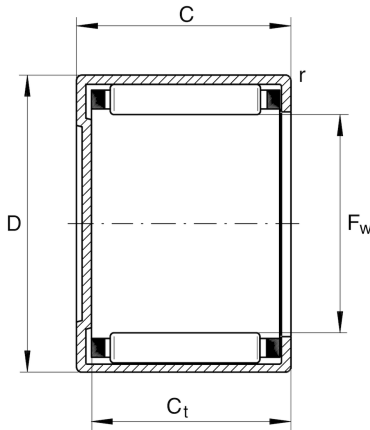
**BK3026**

Drawn cup needle roller bearing closed end

Schaeffler Kimliği:
0001771990000Drawn cup needle roller bearings with
closed end BK, to DIN 618/ISO 3245

Teknik bilgiler

**Dimensions**

r_{min}	0,8 mm	Minimum chamfer dimension
$C_{t min}$	23,3 mm	Minimum width to base of drawn cup with closed end
	58 g	Ağırlık

Main Dimensions & Performance Data

F_w	30 mm	Under roller diameter
D	37 mm	Outside diameter
C	26 mm	Width, outer ring
C_r	28.000 N	Basic dynamic load rating, radial
C_{0r}	54.000 N	Basic static load rating, radial
C_{ur}	7.600 N	Fatigue load limit, radial
n_G	8.600 1/min	Limiting speed
$n_{G Grease}$	5.200 1/min	Limiting speed for grease lubrication
$n_{\vartheta r}$	6.200 1/min	Reference speed

Additional information

SD30X37X4	Sealing ring
G30X37X4	Sealing ring 2
LR25X30X26,5	Suitable inner rings LR
IR25X30X26,5-XL	Suitable inner rings IR

Temperature range

T_{min}	-30 °C	Operating temperature min.
T_{max}	140 °C	Operating temperature max.