

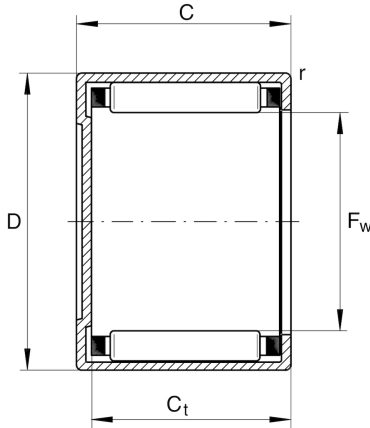
BK4520

Drawn cup needle roller bearing closed end

Schaeffler Kimliği:
0001971570000

Drawn cup needle roller bearings with
closed end BK, to DIN 618/ISO 3245

Teknik bilgiler



Dimensions

r_{min}	0,8 mm	Minimum chamfer dimension
$C_{t min}$	17,3 mm	Minimum width to base of drawn cup with closed end
	72 g	Ağırlık

Main Dimensions & Performance Data

F_w	45 mm	Under roller diameter
D	52 mm	Outside diameter
C	20 mm	Width, outer ring
C_r	27.000 N	Basic dynamic load rating, radial
C_{0r}	59.000 N	Basic static load rating, radial
C_{ur}	7.700 N	Fatigue load limit, radial
n_G	5.900 1/min	Limiting speed
$n_{G Grease}$	3.550 1/min	Limiting speed for grease lubrication
n_{gr}	4.450 1/min	Reference speed

Additional information

SD45X52X4	Sealing ring
G45X52X4	Sealing ring 2
LR40X45X20,5	Suitable inner rings LR
IR40X45X20-XL	Suitable inner rings IR

Temperature range

T_{min}	-30 °C	Operating temperature min.
T_{max}	140 °C	Operating temperature max.