



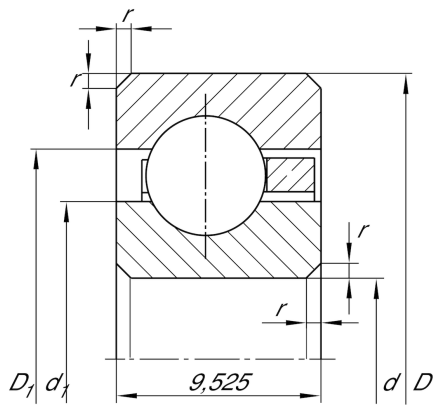
## CSCC045

### Deep groove ball bearing

Schaeffler Kimliği:  
0052467920000

Deep groove ball bearing, Thin section  
bearing CSCC, brass sheet metal cage

### Teknik bilgiler



### Dimensions

|           |          |                              |
|-----------|----------|------------------------------|
| $r_{min}$ | 1 mm     | Minimum chamfer dimension    |
| $d_1$     | 121,3 mm | Shoulder diameter inner ring |
| $D_1$     | 126,3 mm | Shoulder diameter outer ring |
|           | 220 g    | Ağırlık                      |

### Main Dimensions & Performance Data

|          |             |                                    |
|----------|-------------|------------------------------------|
| $d$      | 114,3 mm    | Bore diameter                      |
| $d$      | 4.5 inch    | Bore diameter (Inch)               |
| $D$      | 133,35 mm   | Outside diameter                   |
| $B$      | 9,525 mm    | Width                              |
| $C_r$    | 8.200 N     | Basic dynamic load rating, radial  |
| $C_{0r}$ | 9.200 N     | Basic static load rating, radial   |
| $n_G$    | 4.600 1/min | Limiting speed for oil lubrication |

### Temperature range

|           |        |                            |
|-----------|--------|----------------------------|
| $T_{min}$ | -30 °C | Operating temperature min. |
| $T_{max}$ | 120 °C | Operating temperature max. |