



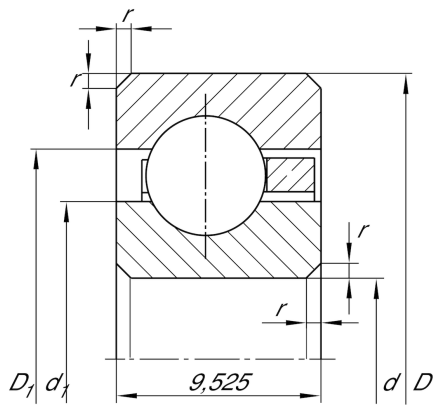
## CSCC060

### Deep groove ball bearing

Schaeffler Kimliği:  
0047608160000

Deep groove ball bearing, Thin section  
bearing CSCC, brass sheet metal cage

### Teknik bilgiler



### Dimensions

$r_{min}$	1 mm	Minimum chamfer dimension
$d_1$	159,4 mm	Shoulder diameter inner ring
$D_1$	164,4 mm	Shoulder diameter outer ring
	290 g	Ağırlık

### Main Dimensions & Performance Data

$d$	152,4 mm	Bore diameter
$d$	6 inch	Bore diameter (Inch)
$D$	171,45 mm	Outside diameter
$B$	9,525 mm	Width
$C_r$	9.000 N	Basic dynamic load rating, radial
$C_{0r}$	12.200 N	Basic static load rating, radial
$n_G$	3.500 1/min	Limiting speed for oil lubrication

### Temperature range

$T_{min}$	-30 °C	Operating temperature min.
$T_{max}$	120 °C	Operating temperature max.