



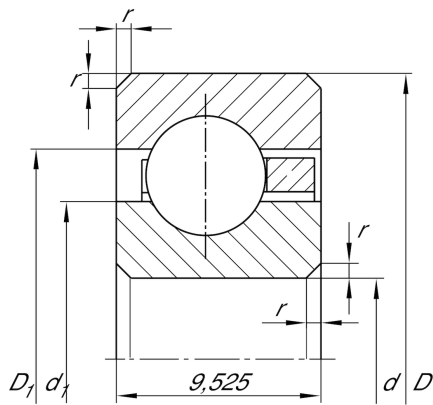
CSCC075

Deep groove ball bearing

Schaeffler Kimliği:
0010153700000

Deep groove ball bearing, Thin section
bearing CSCC, brass sheet metal cage

Teknik bilgiler



Dimensions

| | | |
|-----------|----------|------------------------------|
| r_{min} | 1 mm | Minimum chamfer dimension |
| d_1 | 197,5 mm | Shoulder diameter inner ring |
| D_1 | 202,5 mm | Shoulder diameter outer ring |
| | 350 g | Ağırlık |

Main Dimensions & Performance Data

| | | |
|----------|-------------|------------------------------------|
| d | 190,5 mm | Bore diameter |
| d | 7.5 inch | Bore diameter (Inch) |
| D | 209,55 mm | Outside diameter |
| B | 9,525 mm | Width |
| C_r | 9.800 N | Basic dynamic load rating, radial |
| C_{0r} | 15.200 N | Basic static load rating, radial |
| n_G | 2.800 1/min | Limiting speed for oil lubrication |

Temperature range

| | | |
|-----------|--------|----------------------------|
| T_{min} | -30 °C | Operating temperature min. |
| T_{max} | 120 °C | Operating temperature max. |