



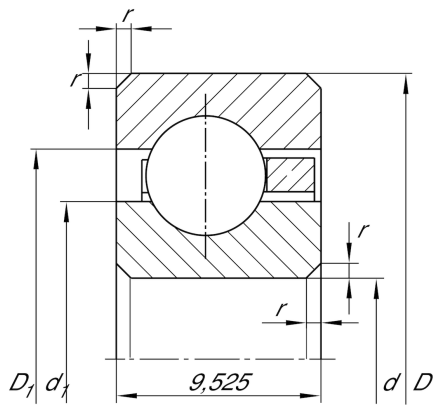
CSCC120

Deep groove ball bearing

Schaeffler Kimliği:
0034688100000

Deep groove ball bearing, Thin section
bearing CSCC, brass sheet metal cage

Teknik bilgiler



Dimensions

r_{min}	1 mm	Minimum chamfer dimension
d_1	311,8 mm	Shoulder diameter inner ring
D_1	316,8 mm	Shoulder diameter outer ring
	0,567 kg	Ağırlık

Main Dimensions & Performance Data

d	304,8 mm	Bore diameter
d	12 inch	Bore diameter (Inch)
D	323,85 mm	Outside diameter
B	9,525 mm	Width
C_r	10.900 N	Basic dynamic load rating, radial
C_{0r}	24.200 N	Basic static load rating, radial
n_G	1.740 1/min	Limiting speed for oil lubrication

Temperature range

T_{min}	-30 °C	Operating temperature min.
T_{max}	120 °C	Operating temperature max.