



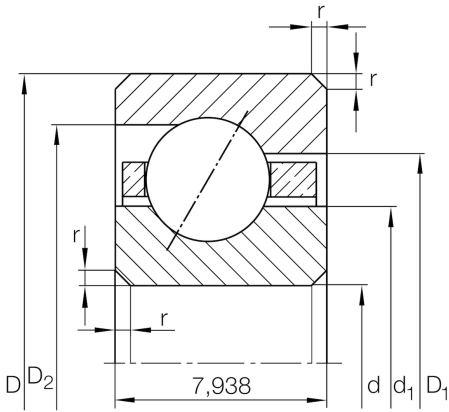
## CSEB030

Angular contact ball bearing

Schaeffler Kimliği:  
0096620650000

Angular contact ball bearing, Thin section  
bearing CSEB, brass sheet metal cage

### Teknik bilgiler



### Dimensions

$r_{\min}$	1 mm	Minimum chamfer dimension
$d_1$	82,1 mm	Shoulder diameter inner ring
$D_1$	86,2 mm	Shoulder diameter on outer ring wide side face
$D_2$	87,9 mm	Shoulder diameter on outer ring small side face
$\alpha$	30 °	Contact angle
	110 g	Ağırlık

### Main Dimensions & Performance Data

$d$	76,2 mm	Bore diameter
$d$	3 inch	Bore diameter (Inch)
$D$	92,075 mm	Outside diameter
$B$	7,938 mm	Width
$C_r$	5.400 N	Basic dynamic load rating, radial
$C_{0r}$	6.100 N	Basic static load rating, radial
$n_G$	7.000 1/min	Limiting speed for oil lubrication

### Temperature range

$T_{\min}$	-30 °C	Operating temperature min.
$T_{\max}$	120 °C	Operating temperature max.