



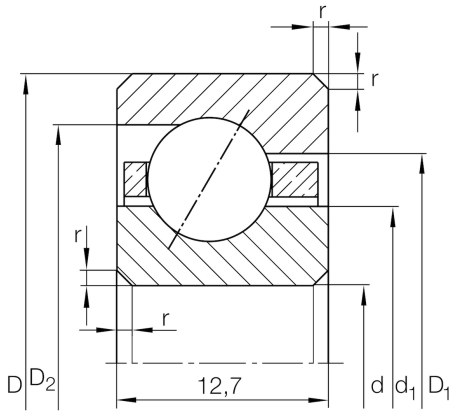
CSED050

Angular contact ball bearing

Schaeffler Kimliği:
0074546510000

Angular contact ball bearing, Thin section
bearing CSED, brass sheet metal cage

Teknik bilgiler



Dimensions

| | | |
|-----------|----------|---|
| r_{min} | 1,5 mm | Minimum chamfer dimension |
| d_1 | 136,4 mm | Shoulder diameter inner ring |
| D_1 | 143 mm | Shoulder diameter on outer ring wide side face |
| D_2 | 145,8 mm | Shoulder diameter on outer ring small side face |
| α | 30 ° | Contact angle |
| | 450 g | Ağırlık |

Main Dimensions & Performance Data

| | | |
|----------|-------------|------------------------------------|
| d | 127 mm | Bore diameter |
| d | 5 inch | Bore diameter (Inch) |
| D | 152,4 mm | Outside diameter |
| B | 12,7 mm | Width |
| C_r | 13.200 N | Basic dynamic load rating, radial |
| C_{0r} | 17.200 N | Basic static load rating, radial |
| n_G | 4.050 1/min | Limiting speed for oil lubrication |

Temperature range

| | | |
|-----------|--------|----------------------------|
| T_{min} | -30 °C | Operating temperature min. |
| T_{max} | 120 °C | Operating temperature max. |