



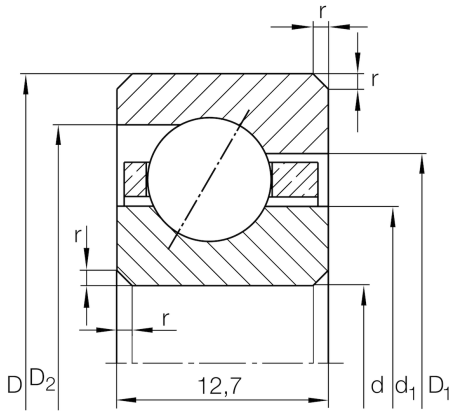
## CSED110

### Angular contact ball bearing

Schaeffler Kimliği:  
 \${ctx.productData.sapMaterialNumber}

Angular contact ball bearing, Thin section bearing CSED, brass sheet metal cage

### Teknik bilgiler



### Dimensions

|           |          |   |
|-----------|----------|---|
| $r_{min}$ | 1,5 mm   | Minimum chamfer dimension                       |
| $d_1$     | 288,8 mm | Shoulder diameter inner ring                    |
| $D_1$     | 295,4 mm | Shoulder diameter on outer ring wide side face  |
| $D_2$     | 297,9 mm | Shoulder diameter on outer ring small side face |
| $\alpha$  | 30 °     | Contact angle                                   |
|           | 0,93 kg  | Ağırlık   |

### Main Dimensions & Performance Data

|          |             |                                    |
|----------|-------------|------------------------------------|
| $d$      | 279,4 mm    | Bore diameter                      |
| $d$      | 11 inch     | Bore diameter (Inch)               |
| $D$      | 304,8 mm    | Outside diameter                   |
| $B$      | 12,7 mm     | Width                              |
| $C_r$    | 17.400 N    | Basic dynamic load rating, radial  |
| $C_{0r}$ | 37.000 N    | Basic static load rating, radial   |
| $n_G$    | 1.880 1/min | Limiting speed for oil lubrication |

### Temperature range

|           |        |                            |
|-----------|--------|----------------------------|
| $T_{min}$ | -30 °C | Operating temperature min. |
| $T_{max}$ | 120 °C | Operating temperature max. |