



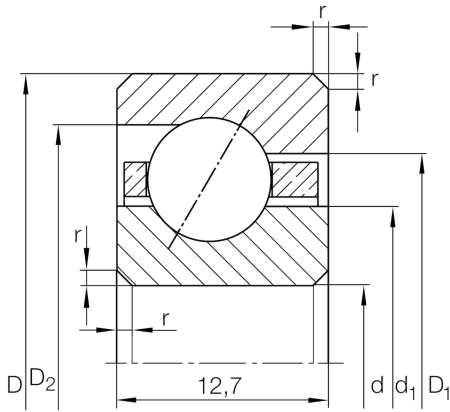
## CSED160

Angular contact ball bearing

Schaeffler Kimliği:  
 \${ctx.productData.sapMaterialNumber}

Angular contact ball bearing, Thin section  
 bearing CSED, brass sheet metal cage

### Teknik bilgiler



### Dimensions

$r_{min}$	1,5 mm	Minimum chamfer dimension
$d_1$	415,8 mm	Shoulder diameter inner ring
$D_1$	422,4 mm	Shoulder diameter on outer ring wide side face
$D_2$	424,6 mm	Shoulder diameter on outer ring small side face
$\alpha$	30 °	Contact angle
	1,33 kg	Ağırlık

### Main Dimensions & Performance Data

$d$	406,4 mm	Bore diameter
$d$	16 inch	Bore diameter (Inch)
$D$	431,8 mm	Outside diameter
$B$	12,7 mm	Width
$C_r$	19.900 N	Basic dynamic load rating, radial
$C_{0r}$	53.000 N	Basic static load rating, radial
$n_G$	1.280 1/min	Limiting speed for oil lubrication

### Temperature range

$T_{min}$	-30 °C	Operating temperature min.
$T_{max}$	120 °C	Operating temperature max.