



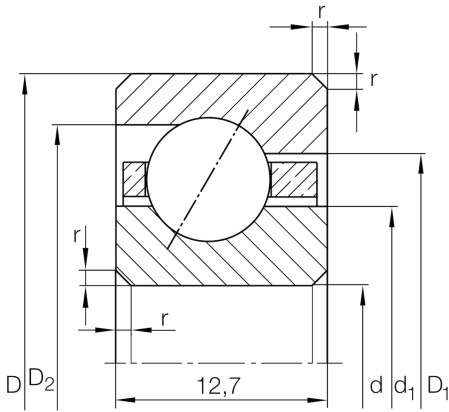
CSED180

Angular contact ball bearing

Schaeffler Kimliği:
0011395250000

Angular contact ball bearing, Thin section
bearing CSED, brass sheet metal cage

Teknik bilgiler



Dimensions

r_{min}	1,5 mm	Minimum chamfer dimension
d_1	466,6 mm	Shoulder diameter inner ring
D_1	473,2 mm	Shoulder diameter on outer ring wide side face
D_2	475,3 mm	Shoulder diameter on outer ring small side face
α	30 °	Contact angle
	1,58 kg	Ağırlık

Main Dimensions & Performance Data

d	457,2 mm	Bore diameter
d	18 inch	Bore diameter (Inch)
D	482,6 mm	Outside diameter
B	12,7 mm	Width
C_r	20.800 N	Basic dynamic load rating, radial
C_{0r}	60.000 N	Basic static load rating, radial
n_G	1.140 1/min	Limiting speed for oil lubrication

Temperature range

T_{min}	-30 °C	Operating temperature min.
T_{max}	120 °C	Operating temperature max.