



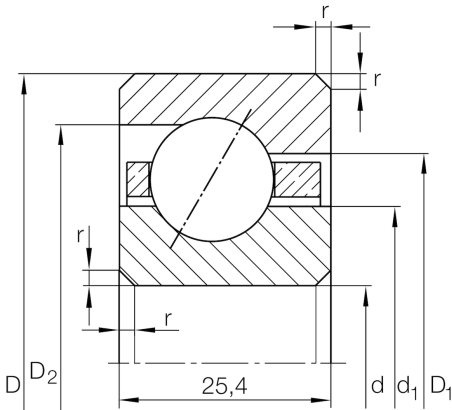
## CSEG075

Angular contact ball bearing

Schaeffler Kimliği:  
0035547910000

Angular contact ball bearing, Thin section  
bearing CSEG, brass sheet metal cage

### Teknik bilgiler



### Dimensions

$r_{\min}$	2 mm	Minimum chamfer dimension
$d_1$	209,4 mm	Shoulder diameter inner ring
$D_1$	222,5 mm	Shoulder diameter on outer ring wide side face
$D_2$	228,3 mm	Shoulder diameter on outer ring small side face
$\alpha$	30 °	Contact angle
	2,79 kg	Ağırlık

### Main Dimensions & Performance Data

$d$	190,5 mm	Bore diameter
$d$	7,5 inch	Bore diameter (Inch)
$D$	241,3 mm	Outside diameter
$B$	25,4 mm	Width
$C_r$	47.000 N	Basic dynamic load rating, radial
$C_{0r}$	63.000 N	Basic static load rating, radial
$n_G$	2.480 1/min	Limiting speed for oil lubrication

### Temperature range

$T_{\min}$	-30 °C	Operating temperature min.
$T_{\max}$	120 °C	Operating temperature max.