



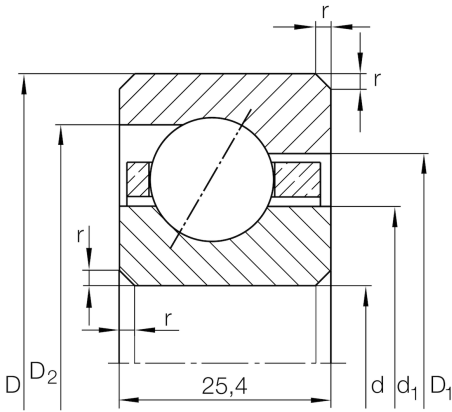
## CSEG100

Angular contact ball bearing

Schaeffler Kimliği:  
0518576420000

Angular contact ball bearing, Thin section  
bearing CSEG, brass sheet metal cage

### Teknik bilgiler



### Dimensions

$r_{\min}$	2 mm	Minimum chamfer dimension
$d_1$	272,9 mm	Shoulder diameter inner ring
$D_1$	286 mm	Shoulder diameter on outer ring wide side face
$D_2$	291,7 mm	Shoulder diameter on outer ring small side face
$\alpha$	30 °	Contact angle
	3,58 kg	Ağırlık

### Main Dimensions & Performance Data

$d$	254 mm	Bore diameter
$d$	10 inch	Bore diameter (Inch)
$D$	304,8 mm	Outside diameter
$B$	25,4 mm	Width
$C_r$	52.000 N	Basic dynamic load rating, radial
$C_{0r}$	82.000 N	Basic static load rating, radial
$n_G$	1.910 1/min	Limiting speed for oil lubrication

### Temperature range

$T_{\min}$	-30 °C	Operating temperature min.
$T_{\max}$	120 °C	Operating temperature max.