



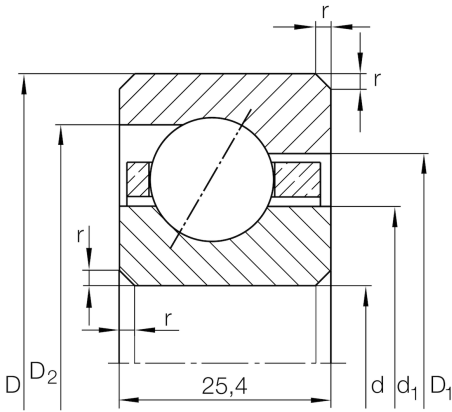
CSEG120

Angular contact ball bearing

Schaeffler Kimliği:
0011395500000

Angular contact ball bearing, Thin section
bearing CSEG, brass sheet metal cage

Teknik bilgiler



Dimensions

r_{\min}	2 mm	Minimum chamfer dimension
d_1	323,7 mm	Shoulder diameter inner ring
D_1	336,8 mm	Shoulder diameter on outer ring wide side face
D_2	342,4 mm	Shoulder diameter on outer ring small side face
α	30 °	Contact angle
	4,22 kg	Ağırlık

Main Dimensions & Performance Data

d	304,8 mm	Bore diameter
d	12 inch	Bore diameter (Inch)
D	355,6 mm	Outside diameter
B	25,4 mm	Width
C_r	55.000 N	Basic dynamic load rating, radial
C_{0r}	98.000 N	Basic static load rating, radial
n_G	1.610 1/min	Limiting speed for oil lubrication

Temperature range

T_{\min}	-30 °C	Operating temperature min.
T_{\max}	120 °C	Operating temperature max.