



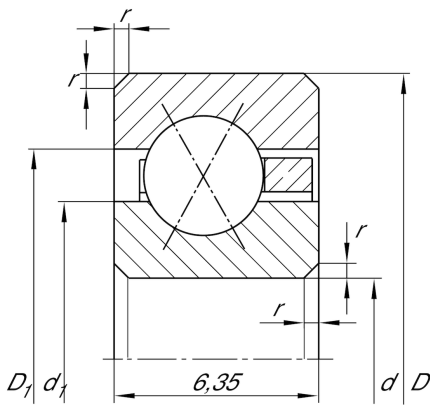
CSXA035

Four-point contact bearing

Schaeffler Kimliği:
0034366080000

Four point contact bearing, Thin section
bearing CSXA, brass sheet metal cage

Teknik bilgiler



Dimensions

| | | |
|-----------|---------|------------------------------|
| r_{min} | 0,6 mm | Minimum chamfer dimension |
| d_1 | 93,6 mm | Shoulder diameter inner ring |
| D_1 | 96,9 mm | Shoulder diameter outer ring |
| α | 30 ° | Contact angle |
| | 68 g | Ağırlık |

Main Dimensions & Performance Data

| | | |
|----------|-------------|---------------------------------------|
| d | 88,9 mm | Bore diameter |
| d | 3.5 inch | Bore diameter (Inch) |
| D | 101,6 mm | Outside diameter |
| B | 6,35 mm | Width |
| C_r | 5.300 N | Basic dynamic load rating, radial |
| C_{0r} | 7.900 N | Basic static load rating, radial |
| n_G | 2.700 1/min | Limiting speed for grease lubrication |
| n_G | 3.850 1/min | Limiting speed for oil lubrication |

Temperature range

| | | |
|-----------|--------|----------------------------|
| T_{min} | -30 °C | Operating temperature min. |
| T_{max} | 120 °C | Operating temperature max. |