



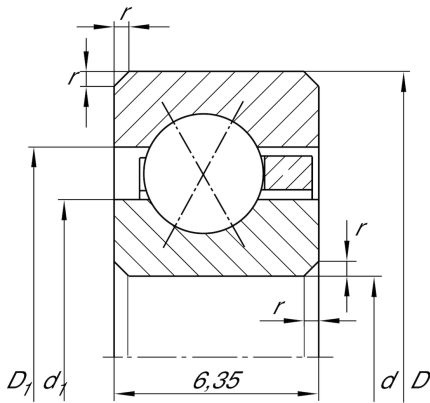
CSXA045

Four-point contact bearing

Schaeffler Kimliği:
0035357620000

Four point contact bearing, Thin section bearing CSXA, brass sheet metal cage

Teknik bilgiler



Dimensions

r_{min}	0,6 mm	Minimum chamfer dimension
d_1	119 mm	Shoulder diameter inner ring
D_1	122,3 mm	Shoulder diameter outer ring
α	30 °	Contact angle
	100 g	Ağırlık

Main Dimensions & Performance Data

d	114,3 mm	Bore diameter
d	4.5 inch	Bore diameter (Inch)
D	127 mm	Outside diameter
B	6,35 mm	Width
C_r	5.800 N	Basic dynamic load rating, radial
C_{0r}	10.100 N	Basic static load rating, radial
n_G	2.020 1/min	Limiting speed for grease lubrication
n_G	2.900 1/min	Limiting speed for oil lubrication

Temperature range

T_{min}	-30 °C	Operating temperature min.
T_{max}	120 °C	Operating temperature max.