



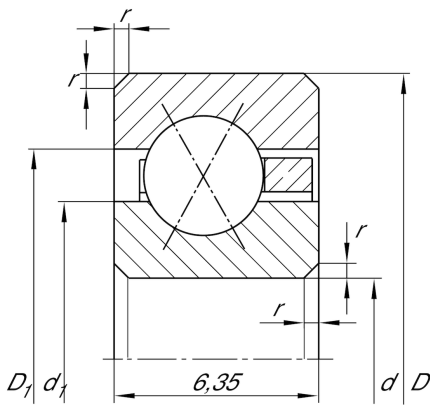
CSXA060

Four-point contact bearing

Schaeffler Kimliği:
0033688820000

Four point contact bearing, Thin section
bearing CSXA, brass sheet metal cage

Teknik bilgiler



Dimensions

r_{min}	0,6 mm	Minimum chamfer dimension
d_1	157,1 mm	Shoulder diameter inner ring
D_1	160,4 mm	Shoulder diameter outer ring
α	30 °	Contact angle
	127 g	Ağırlık

Main Dimensions & Performance Data

d	152,4 mm	Bore diameter
d	6 inch	Bore diameter (Inch)
D	165,1 mm	Outside diameter
B	6,35 mm	Width
C_r	6.500 N	Basic dynamic load rating, radial
C_{0r}	13.400 N	Basic static load rating, radial
n_G	1.450 1/min	Limiting speed for grease lubrication
n_G	2.070 1/min	Limiting speed for oil lubrication

Temperature range

T_{min}	-30 °C	Operating temperature min.
T_{max}	120 °C	Operating temperature max.