



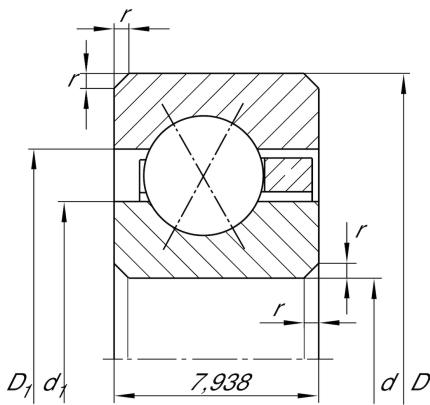
CSXB020

Four-point contact bearing

Schaeffler Kimliği:
0008223370000

Four point contact bearing, Thin section
bearing CSXB, brass sheet metal cage

Teknik bilgiler



Dimensions

r_{min}	1 mm	Minimum chamfer dimension
d_1	56,7 mm	Shoulder diameter inner ring
D_1	60,8 mm	Shoulder diameter outer ring
α	30 °	Contact angle
	68,32 g	Ağırlık

Main Dimensions & Performance Data

d	50,8 mm	Bore diameter
d	2 inch	Bore diameter (Inch)
D	66,675 mm	Outside diameter
B	7,938 mm	Width
C_r	6.300 N	Basic dynamic load rating, radial
C_{0r}	6.200 N	Basic static load rating, radial
n_G	4.650 1/min	Limiting speed for grease lubrication
n_G	6.700 1/min	Limiting speed for oil lubrication

Temperature range

T_{min}	-30 °C	Operating temperature min.
T_{max}	120 °C	Operating temperature max.