



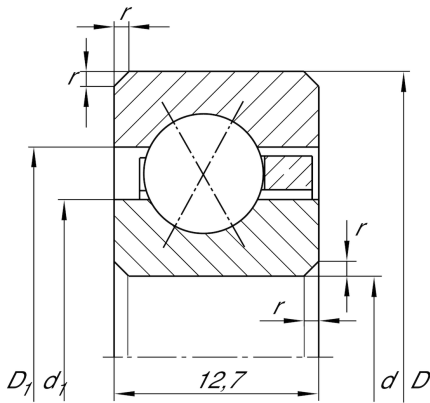
## CSXD055

### Four-point contact bearing

Schaeffler Kimliği:  
0092325240000

Four point contact bearing, Thin section  
bearing CSXD, brass sheet metal cage

### Teknik bilgiler



### Dimensions

$r_{min}$	1,5 mm	Minimum chamfer dimension
$d_1$	149,1 mm	Shoulder diameter inner ring
$D_1$	155,7 mm	Shoulder diameter outer ring
$\alpha$	30 °	Contact angle
	480 g	Ağırlık

### Main Dimensions & Performance Data

$d$	139,7 mm	Bore diameter
$d$	5.5 inch	Bore diameter (Inch)
$D$	165,1 mm	Outside diameter
$B$	12,7 mm	Width
$C_r$	18.400 N	Basic dynamic load rating, radial
$C_{0r}$	28.000 N	Basic static load rating, radial
$n_G$	1.480 1/min	Limiting speed for grease lubrication
$n_G$	2.110 1/min	Limiting speed for oil lubrication

### Temperature range

$T_{min}$	-30 °C	Operating temperature min.
$T_{max}$	120 °C	Operating temperature max.