



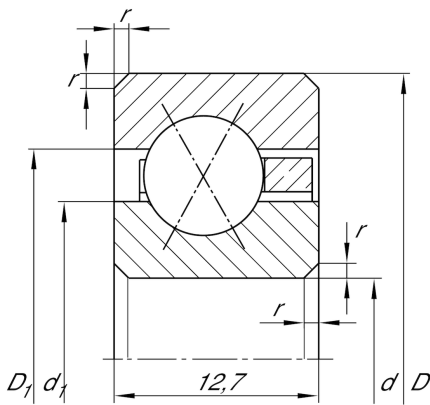
CSXD090

Four-point contact bearing

Schaeffler Kimliği:
0028303020000

Four point contact bearing, Thin section
bearing CSXD, brass sheet metal cage

Teknik bilgiler



Dimensions

r_{min}	1,5 mm	Minimum chamfer dimension
d_1	238 mm	Shoulder diameter inner ring
D_1	244,6 mm	Shoulder diameter outer ring
α	30 °	Contact angle
	0,78 kg	Ağırlık

Main Dimensions & Performance Data

d	228,6 mm	Bore diameter
d	9 inch	Bore diameter (Inch)
D	254 mm	Outside diameter
B	12,7 mm	Width
C_r	21.800 N	Basic dynamic load rating, radial
C_{0r}	45.500 N	Basic static load rating, radial
n_G	850 1/min	Limiting speed for grease lubrication
n_G	1.210 1/min	Limiting speed for oil lubrication

Temperature range

T_{min}	-30 °C	Operating temperature min.
T_{max}	120 °C	Operating temperature max.