



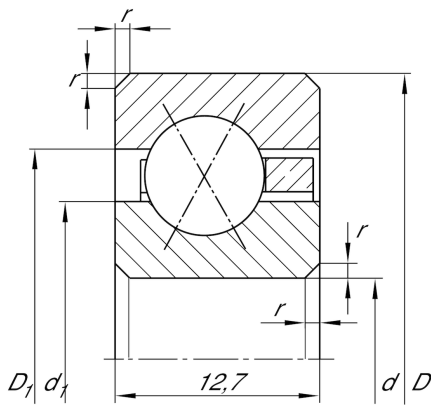
## CSXD100

### Four-point contact bearing

Schaeffler Kimliği:  
0027321060000

Four point contact bearing, Thin section  
bearing CSXD, brass sheet metal cage

### Teknik bilgiler



#### Dimensions

$r_{min}$	1,5 mm	Minimum chamfer dimension
$d_1$	263,4 mm	Shoulder diameter inner ring
$D_1$	270 mm	Shoulder diameter outer ring
$\alpha$	30 °	Contact angle
	0,852 kg	Ağırlık

#### Main Dimensions & Performance Data

$d$	254 mm	Bore diameter
$d$	10 inch	Bore diameter (Inch)
$D$	279,4 mm	Outside diameter
$B$	12,7 mm	Width
$C_r$	22.700 N	Basic dynamic load rating, radial
$C_{0r}$	50.000 N	Basic static load rating, radial
$n_G$	750 1/min	Limiting speed for grease lubrication
$n_G$	1.080 1/min	Limiting speed for oil lubrication

#### Temperature range

$T_{min}$	-30 °C	Operating temperature min.
$T_{max}$	120 °C	Operating temperature max.