



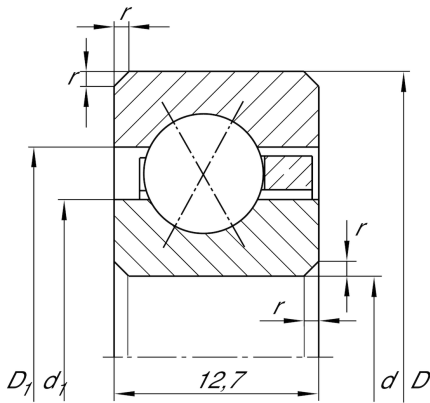
CSXD110

Four-point contact bearing

Schaeffler Kimliği:
0038810240000

Four point contact bearing, Thin section
bearing CSXD, brass sheet metal cage

Teknik bilgiler



Dimensions

r_{min}	1,5 mm	Minimum chamfer dimension
d_1	288,8 mm	Shoulder diameter inner ring
D_1	295,4 mm	Shoulder diameter outer ring
α	30 °	Contact angle
	0,964 kg	Ağırlık

Main Dimensions & Performance Data

d	279,4 mm	Bore diameter
d	11 inch	Bore diameter (Inch)
D	304,8 mm	Outside diameter
B	12,7 mm	Width
C_r	23.400 N	Basic dynamic load rating, radial
C_{0r}	55.000 N	Basic static load rating, radial
n_G	670 1/min	Limiting speed for grease lubrication
n_G	960 1/min	Limiting speed for oil lubrication

Temperature range

T_{min}	-30 °C	Operating temperature min.
T_{max}	120 °C	Operating temperature max.