



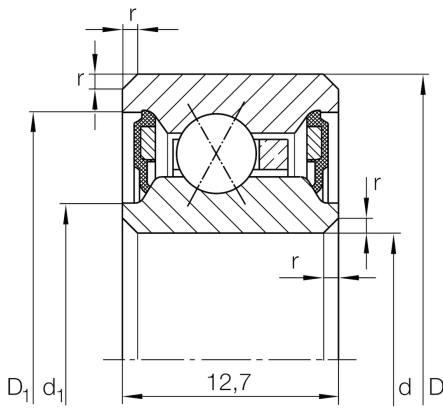
CSXU075-2RS

Four-point contact bearing

Schaeffler Kimliği:
0034388130000

Four point contact bearing, Thin section bearing CSXU..-2RS, seals, brass sheet metal cage

Teknik bilgiler



Dimensions

| | | |
|-----------|----------|-----------------------------|
| r_{min} | 0,38 mm | Minimum chamfer dimension |
| d_1 | 194,3 mm | Caliber diameter inner ring |
| D_1 | 204,1 mm | Caliber diameter outer ring |
| α | 30 ° | Contact angle |
| | 449 g | Ağırlık |

Main Dimensions & Performance Data

| | | |
|----------|-------------|---------------------------------------|
| d | 190,5 mm | Bore diameter |
| d | 7.5 inch | Bore diameter (Inch) |
| D | 209,55 mm | Outside diameter |
| B | 12,7 mm | Width |
| C_r | 13.000 N | Basic dynamic load rating, radial |
| C_{0r} | 26.500 N | Basic static load rating, radial |
| n_G | 2.650 1/min | Limiting speed for grease lubrication |

Temperature range

| | | |
|-----------|--------|----------------------------|
| T_{min} | -20 °C | Operating temperature min. |
| T_{max} | 120 °C | Operating temperature max. |