



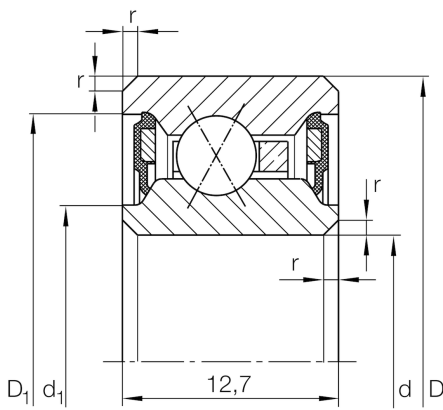
## CSXU110-2RS

Four-point contact bearing

Schaeffler Kimliği:  
0026627870000

Four point contact bearing, Thin section bearing CSXU..-2RS, seals, brass sheet metal cage

### Teknik bilgiler



### Dimensions

$r_{min}$	0,38 mm	Minimum chamfer dimension
$d_1$	283,2 mm	Caliber diameter inner ring
$D_1$	293 mm	Caliber diameter outer ring
$\alpha$	30 °	Contact angle
	0,648 kg	Ağırlık

### Main Dimensions & Performance Data

$d$	279,4 mm	Bore diameter
$d$	11 inch	Bore diameter (Inch)
$D$	298,45 mm	Outside diameter
$B$	12,7 mm	Width
$C_r$	14.800 N	Basic dynamic load rating, radial
$C_{0r}$	38.500 N	Basic static load rating, radial
$n_G$	1.800 1/min	Limiting speed for grease lubrication

### Temperature range

$T_{min}$	-20 °C	Operating temperature min.
$T_{max}$	120 °C	Operating temperature max.