

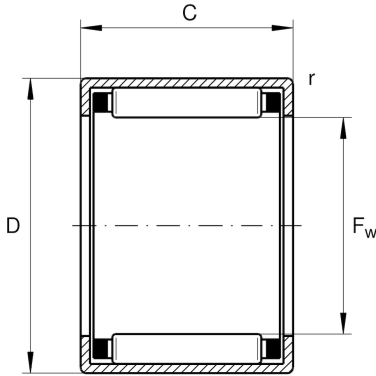
HK0808

Drawn cup needle roller bearing open end

Schaeffler Kimliği:
0011976300000

Drawn cup needle roller bearings with
open ends HK, to DIN 618/ISO 3245

Teknik bilgiler



Dimensions

C_1	8 mm	Width, outer ring
r_{min}	0,4 mm	Minimum chamfer dimension
	2,54 g	Ağırlık

Main Dimensions & Performance Data

F_w	8 mm	Under roller diameter
D	12 mm	Outside diameter
C	8 mm	Width
C_r	2.750 N	Basic dynamic load rating, radial
C_{0r}	2.600 N	Basic static load rating, radial
C_{ur}	300 N	Fatigue load limit, radial
n_G	29.500 1/min	Limiting speed
$n_{G Grease}$	17.700 1/min	Limiting speed for grease lubrication
n_{gr}	23.800 1/min	Reference speed

Additional information

G8X12X3	Sealing ring 2
---------	----------------

Temperature range

T_{min}	-30 °C	Operating temperature min.
T_{max}	140 °C	Operating temperature max.