

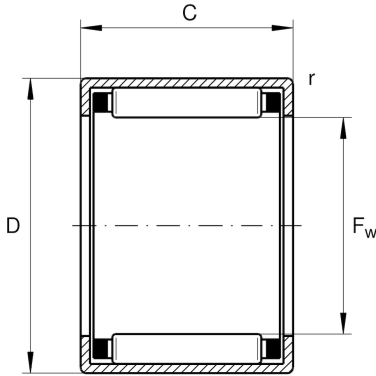
HK1015

Drawn cup needle roller bearing open end

Schaeffler Kimliği:
0001834820000

Drawn cup needle roller bearings with
open ends HK, to DIN 618/ISO 3245

Teknik bilgiler



Dimensions

C_1	15 mm	Width, outer ring
r_{min}	0,4 mm	Minimum chamfer dimension
	5,76 g	Ağırlık

Main Dimensions & Performance Data

F_w	10 mm	Under roller diameter
D	14 mm	Outside diameter
C	15 mm	Width
C_r	6.800 N	Basic dynamic load rating, radial
C_{0r}	8.800 N	Basic static load rating, radial
C_{ur}	1.230 N	Fatigue load limit, radial
n_G	24.300 1/min	Limiting speed
$n_{G Grease}$	14.600 1/min	Limiting speed for grease lubrication
n_{gr}	18.200 1/min	Reference speed

Additional information

GR10X14X3	Sealing ring
G10X14X3	Sealing ring 2
IR7X10X16-XL	Suitable inner rings IR

Temperature range

T_{min}	-30 °C	Operating temperature min.
T_{max}	140 °C	Operating temperature max.