

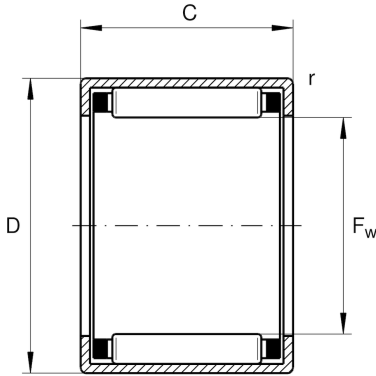
HK2020

Drawn cup needle roller bearing open end

Schaeffler Kimliği:
0000361960000

Drawn cup needle roller bearings with
open ends HK, to DIN 618/ISO 3245

Teknik bilgiler



Dimensions

C_1	20 mm	Width, outer ring
r_{min}	0,8 mm	Minimum chamfer dimension
	23,535 g	Ağırlık

Main Dimensions & Performance Data

F_w	20 mm	Under roller diameter
D	26 mm	Outside diameter
C	20 mm	Width
C_r	15.700 N	Basic dynamic load rating, radial
C_{0r}	26.000 N	Basic static load rating, radial
C_{ur}	3.600 N	Fatigue load limit, radial
n_G	12.700 1/min	Limiting speed
$n_{G Grease}$	7.600 1/min	Limiting speed for grease lubrication
n_{gr}	9.300 1/min	Reference speed

Additional information

SD20X26X4	Sealing ring
G20X26X4	Sealing ring 2
LR17X20X20,5	Suitable inner rings LR
IR17X20X20-XL	Suitable inner rings IR

Temperature range

T_{min}	-30 °C	Operating temperature min.
T_{max}	140 °C	Operating temperature max.