

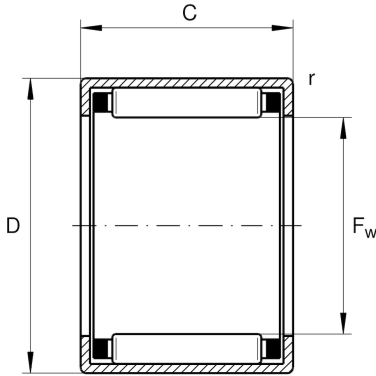
## HK2820

Drawn cup needle roller bearing open end

Schaeffler Kimliği:  
0066660600000

Drawn cup needle roller bearings with  
open ends HK, to DIN 618/ISO 3245

### Teknik bilgiler



#### Dimensions

$C_1$	20 mm	Width, outer ring
$r_{min}$	0,8 mm	Minimum chamfer dimension
	36,385 g	Ağırlık

#### Main Dimensions & Performance Data

$F_w$	28 mm	Under roller diameter
D	35 mm	Outside diameter
C	20 mm	Width
$C_r$	20.900 N	Basic dynamic load rating, radial
$C_{0r}$	36.000 N	Basic static load rating, radial
$C_{ur}$	4.700 N	Fatigue load limit, radial
$n_G$	9.200 1/min	Limiting speed
$n_{G \text{ Grease}}$	5.500 1/min	Limiting speed for grease lubrication
$n_{gr}$	6.700 1/min	Reference speed

#### Additional information

SD28X35X4	Sealing ring
G28X35X4	Sealing ring 2
LR22X28X20,5	Suitable inner rings LR
IR22X28X20-XL	Suitable inner rings IR

#### Temperature range

$T_{min}$	-30 °C	Operating temperature min.
$T_{max}$	140 °C	Operating temperature max.