

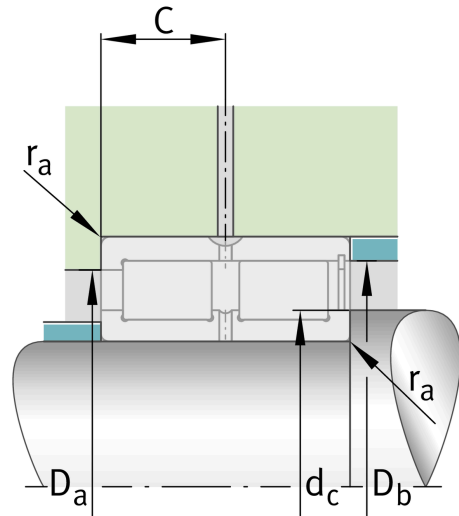
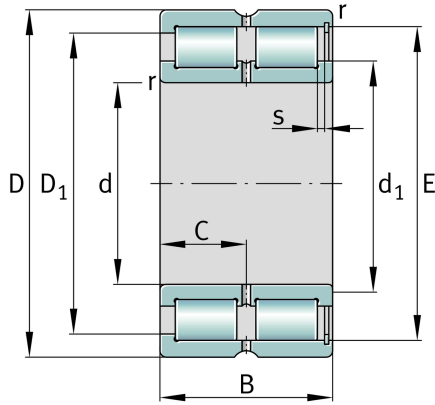
## SL185004-A

### Cylindrical roller bearing

Schaeffler Kimliği:  
0002666040000

Cylindrical roller bearing SL1850..-A, full complement roller set, two-row, semi-locating bearing, 1 rib on outer ring, 3 ribs on inner ring, type SL18

### Teknik bilgiler



### Dimensions

$r_{\min}$	0,6 mm	Minimum chamfer dimension
$r_{1\min}$	1,1 mm	Minimum chamfer dimension
s	3,5 mm	Axial displacement
C	15 mm	Distance to lubrication hole
$d_1$	28,4 mm	Maximum rib diameter inner ring
$D_{1\min}$	33,2 mm	Minimum rib diameter outer ring
E	36,81 mm	Raceway diameter outer ring
	193,14 g	Ağırlık

### Main Dimensions & Performance Data

d	20 mm	Bore diameter
D	42 mm	Outside diameter
B	30 mm	Width
$C_r$	46.500 N	Basic dynamic load rating, radial
$C_{0r}$	52.000 N	Basic static load rating, radial
$C_{ur}$	7.400 N	Fatigue load limit, radial
$n_G$	11.400 1/min	Limiting speed
$n_{gr}$	7.400 1/min	Reference speed

### Mounting dimensions

$d_{c\min}$	28 mm	Minimum shaft shoulder
$d_{a\min}$	28,4 mm	Minimum diameter shaft shoulder
$D_{a\max}$	33,2 mm	Maximum diameter of housing shoulder
$r_{a\max}$	0,6 mm	Maximum recess radius
$r_{a1\max}$	2 mm	Maximum recess radius
$D_{e\min}$	33,2 mm	Minimum diameter of housing shoulder

### Temperature range

$T_{\min}$	-30 °C	Operating temperature min.
$T_{\max}$	120 °C	Operating temperature max.