

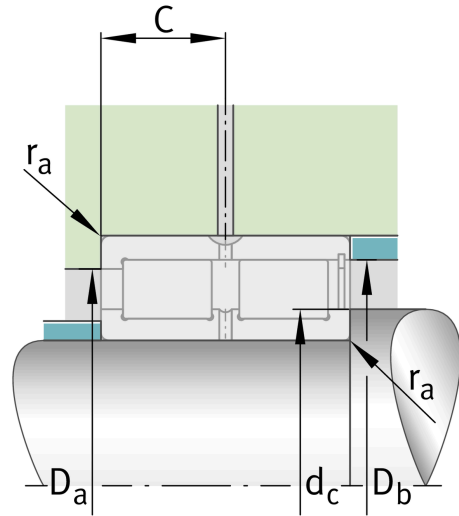
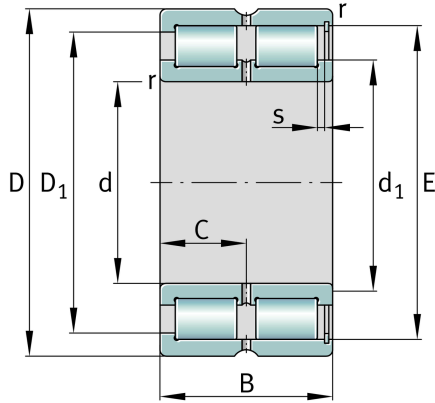
SL185036-TB

Cylindrical roller bearing

Schaeffler Kimliği:
0572439640000

Cylindrical roller bearing SL1850..-TB, full complement roller set, two-row, semi-locating bearing, 1 rib on outer ring, 3 ribs on inner ring, type SL18

Teknik bilgiler



Dimensions

r_{\min}	2,1 mm	Minimum chamfer dimension
$r_{1 \min}$	2,1 mm	Minimum chamfer dimension
s	8 mm	Axial displacement
C	68 mm	Distance to lubrication hole
d_1	212,2 mm	Maximum rib diameter inner ring
$D_{1 \min}$	249,4 mm	Minimum rib diameter outer ring
E	260,2 mm	Raceway diameter outer ring
	28,92 kg	Ağırlık

Main Dimensions & Performance Data

d	180 mm	Bore diameter
D	280 mm	Outside diameter
B	136 mm	Width
C_r	1.390.000 N	Basic dynamic load rating, radial
C_{0r}	2.480.000 N	Basic static load rating, radial
C_{ur}	315.000 N	Fatigue load limit, radial
n_G	1.370 1/min	Limiting speed
n_{gr}	820 1/min	Reference speed

Mounting dimensions

$d_{c \min}$	212 mm	Minimum shaft shoulder
$d_{a \min}$	212,2 mm	Minimum diameter shaft shoulder
$D_{a \max}$	249,5 mm	Maximum diameter of housing shoulder
$r_{a \max}$	2,1 mm	Maximum recess radius
$D_{e \min}$	249,4 mm	Minimum diameter of housing shoulder

Temperature range

T_{\min}	-30 °C	Operating temperature min.
T_{\max}	120 °C	Operating temperature max.