

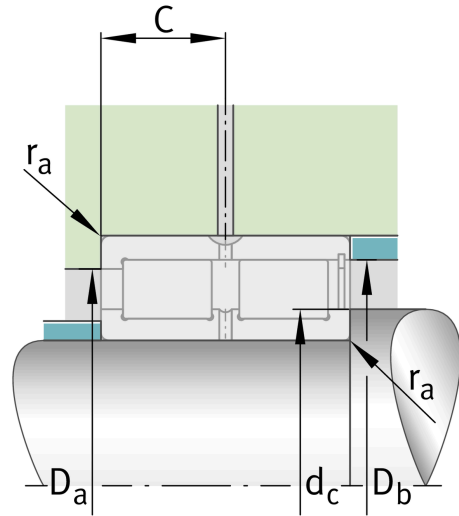
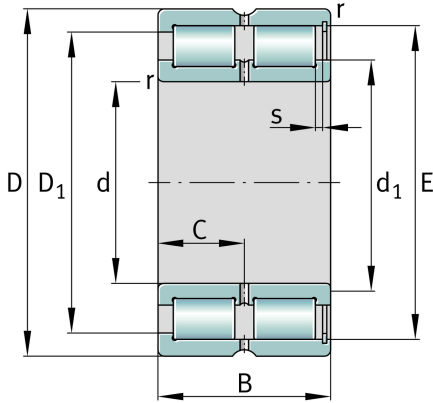
## SL185038-TB

### Cylindrical roller bearing

Schaeffler Kimliği:  
0572440140000

Cylindrical roller bearing SL1850..-TB, full complement roller set, two-row, semi-locating bearing, 1 rib on outer ring, 3 ribs on inner ring, type SL18

### Teknik bilgiler



### Dimensions

$r_{\min}$	2,1 mm	Minimum chamfer dimension
$r_{1\min}$	2,1 mm	Minimum chamfer dimension
s	8,2 mm	Axial displacement
C	68 mm	Distance to lubrication hole
$d_1$	221,8 mm	Maximum rib diameter inner ring
$D_{1\min}$	221,8 mm	Minimum rib diameter outer ring
E	269,8 mm	Raceway diameter outer ring
	30,22 kg	Ağırlık

### Main Dimensions & Performance Data

d	190 mm	Bore diameter
D	290 mm	Outside diameter
B	136 mm	Width
$C_r$	1.430.000 N	Basic dynamic load rating, radial
$C_{0r}$	2.600.000 N	Basic static load rating, radial
$C_{ur}$	325.000 N	Fatigue load limit, radial
$n_G$	1.320 1/min	Limiting speed
$n_{gr}$	770 1/min	Reference speed

### Mounting dimensions

$d_{c\min}$	221,5 mm	Minimum shaft shoulder
$d_{a\min}$	221,8 mm	Minimum diameter shaft shoulder
$D_{a\max}$	259 mm	Maximum diameter of housing shoulder
$r_{a\max}$	2,1 mm	Maximum recess radius
$D_{e\min}$	221,8 mm	Minimum diameter of housing shoulder

### Temperature range

$T_{\min}$	-30 °C	Operating temperature min.
$T_{\max}$	120 °C	Operating temperature max.