

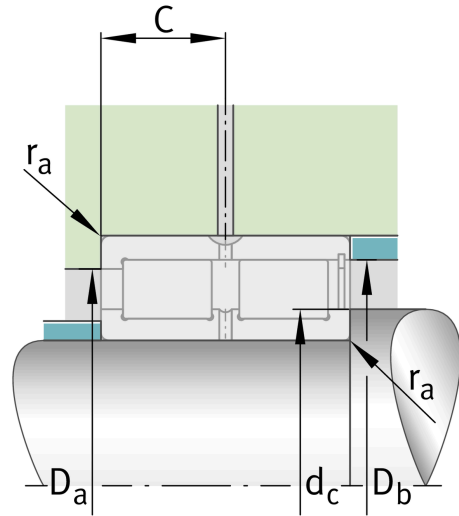
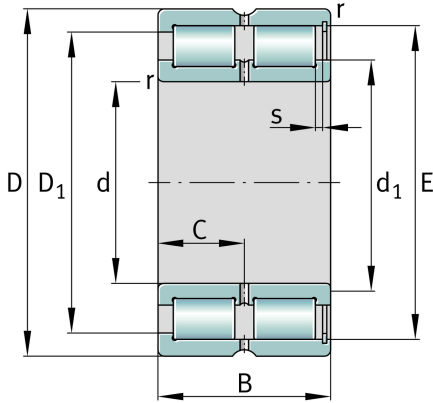
## SL185052-TB

### Cylindrical roller bearing

Schaeffler Kimliği:  
0535298800000

Cylindrical roller bearing SL1850..-TB, full complement roller set, two-row, semi-locating bearing, 1 rib on outer ring, 3 ribs on inner ring, type SL18

### Teknik bilgiler



### Dimensions

|             |         |                                 |
|-------------|---------|---------------------------------|
| $r_{\min}$  | 4 mm    | Minimum chamfer dimension       |
| $r_{1\min}$ | 4 mm    | Minimum chamfer dimension       |
| s           | 11,3 mm | Axial displacement              |
| C           | 95 mm   | Distance to lubrication hole    |
| $d_1$       | 304 mm  | Maximum rib diameter inner ring |
| $D_{1\min}$ | 358 mm  | Minimum rib diameter outer ring |
| E           | 376 mm  | Raceway diameter outer ring     |
|             | 79,5 kg | Ağırlık                         |

### Main Dimensions & Performance Data

|          |             |                                   |
|----------|-------------|-----------------------------------|
| d        | 260 mm      | Bore diameter                     |
| D        | 400 mm      | Outside diameter                  |
| B        | 190 mm      | Width                             |
| $C_r$    | 2.750.000 N | Basic dynamic load rating, radial |
| $C_{0r}$ | 5.000.000 N | Basic static load rating, radial  |
| $C_{ur}$ | 580.000 N   | Fatigue load limit, radial        |
| $n_G$    | 940 1/min   | Limiting speed                    |
| $n_{gr}$ | 490 1/min   | Reference speed                   |

### Mounting dimensions

|             |        |                                      |
|-------------|--------|--------------------------------------|
| $d_{c\min}$ | 304 mm | Minimum shaft shoulder               |
| $d_{a\min}$ | 304 mm | Minimum diameter shaft shoulder      |
| $D_{a\max}$ | 360 mm | Maximum diameter of housing shoulder |
| $r_{a\max}$ | 4 mm   | Maximum recess radius                |
| $D_{e\min}$ | 358 mm | Minimum diameter of housing shoulder |

### Temperature range

|            |        |                            |
|------------|--------|----------------------------|
| $T_{\min}$ | -30 °C | Operating temperature min. |
| $T_{\max}$ | 120 °C | Operating temperature max. |