

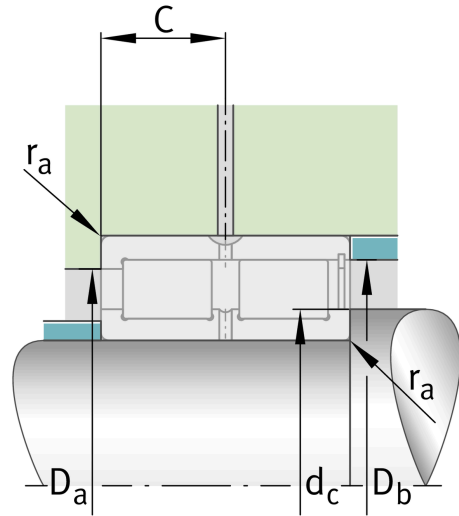
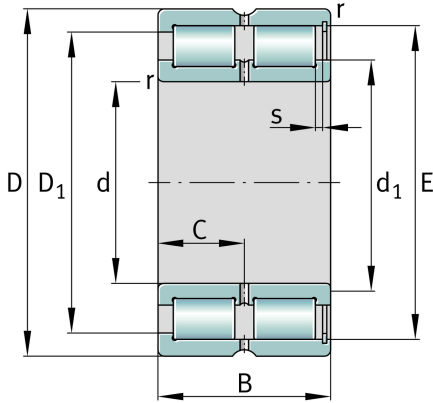
SL185056-TB

Cylindrical roller bearing

Schaeffler Kimliği:
 \${ctx.productData.sapMaterialNumber}

Cylindrical roller bearing SL1850..-TB, full complement roller set, two-row, semi-locating bearing, 1 rib on outer ring, 3 ribs on inner ring, type SL18

Teknik bilgiler



Dimensions

r_{\min}	4 mm	Minimum chamfer dimension
$r_{1\min}$	4 mm	Minimum chamfer dimension
s	11,3 mm	Axial displacement
C	95 mm	Distance to lubrication hole
d_1	318,3 mm	Maximum rib diameter inner ring
$D_{1\min}$	372,3 mm	Minimum rib diameter outer ring
E	390,3 mm	Raceway diameter outer ring
	88 kg	Ağırlık

Main Dimensions & Performance Data

d	280 mm	Bore diameter
D	420 mm	Outside diameter
B	190 mm	Width
C_r	2.850.000 N	Basic dynamic load rating, radial
C_{0r}	5.300.000 N	Basic static load rating, radial
C_{ur}	600.000 N	Fatigue load limit, radial
n_G	900 1/min	Limiting speed
n_{gr}	460 1/min	Reference speed

Mounting dimensions

$d_{c\min}$	318 mm	Minimum shaft shoulder
$d_{a\min}$	318,3 mm	Minimum diameter shaft shoulder
$D_{a\max}$	374,5 mm	Maximum diameter of housing shoulder
$r_{a\max}$	4 mm	Maximum recess radius
$D_{e\min}$	372,3 mm	Minimum diameter of housing shoulder

Temperature range

T_{\min}	-30 °C	Operating temperature min.
T_{\max}	120 °C	Operating temperature max.